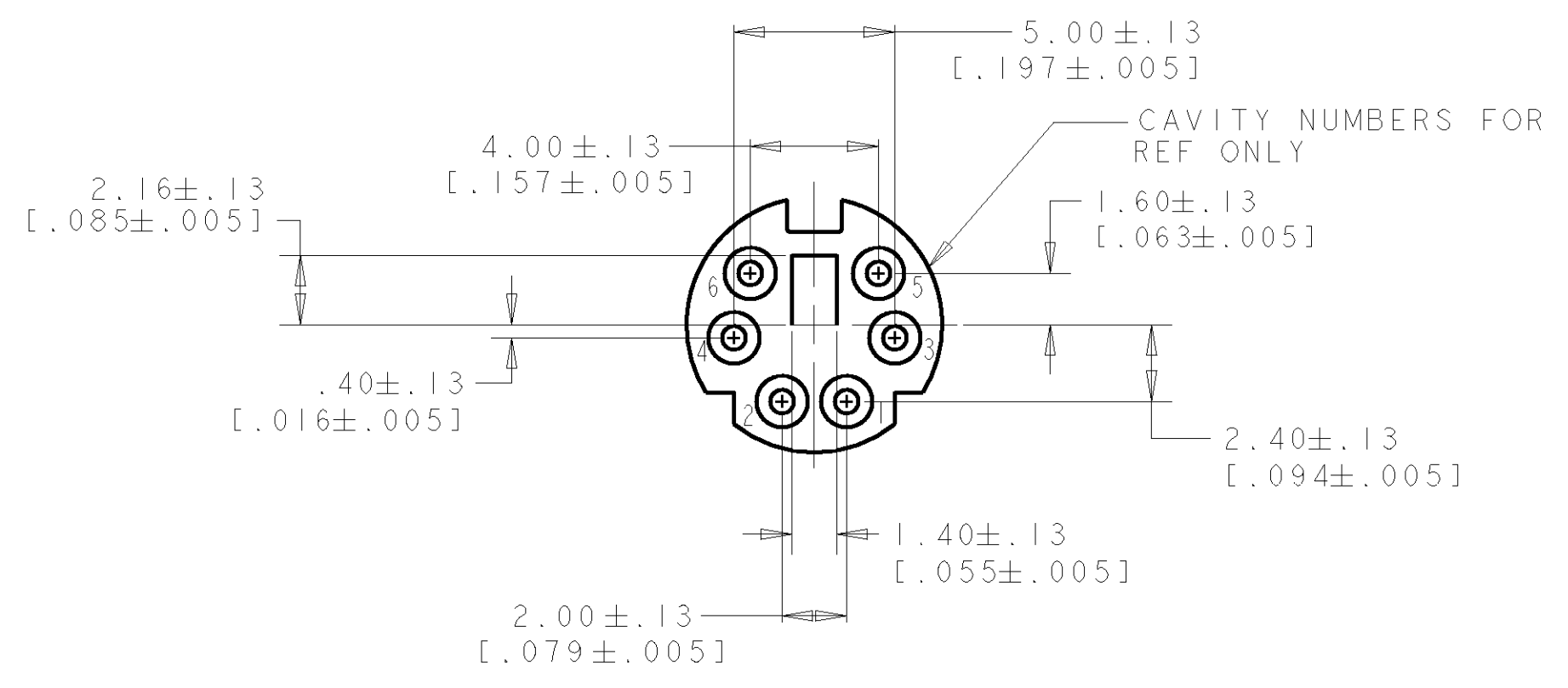
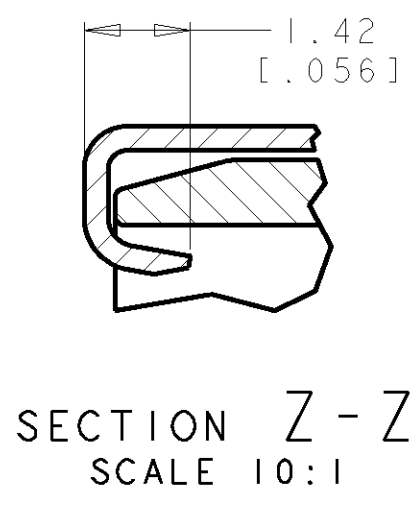
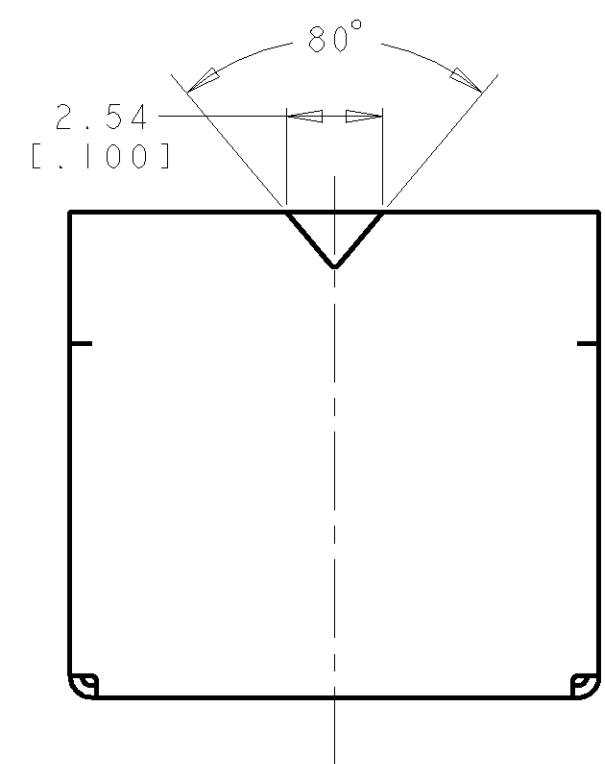
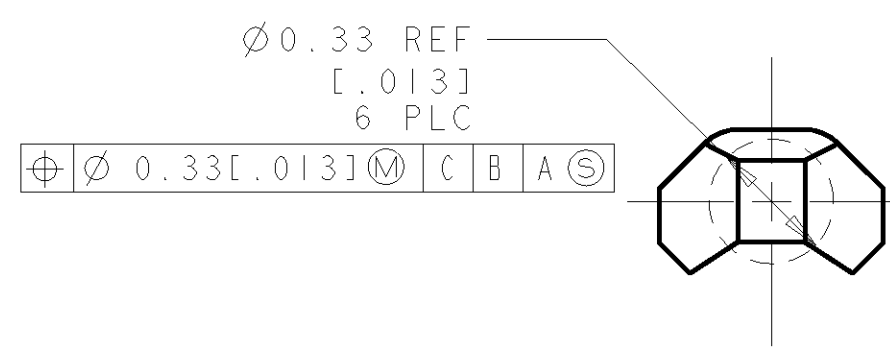
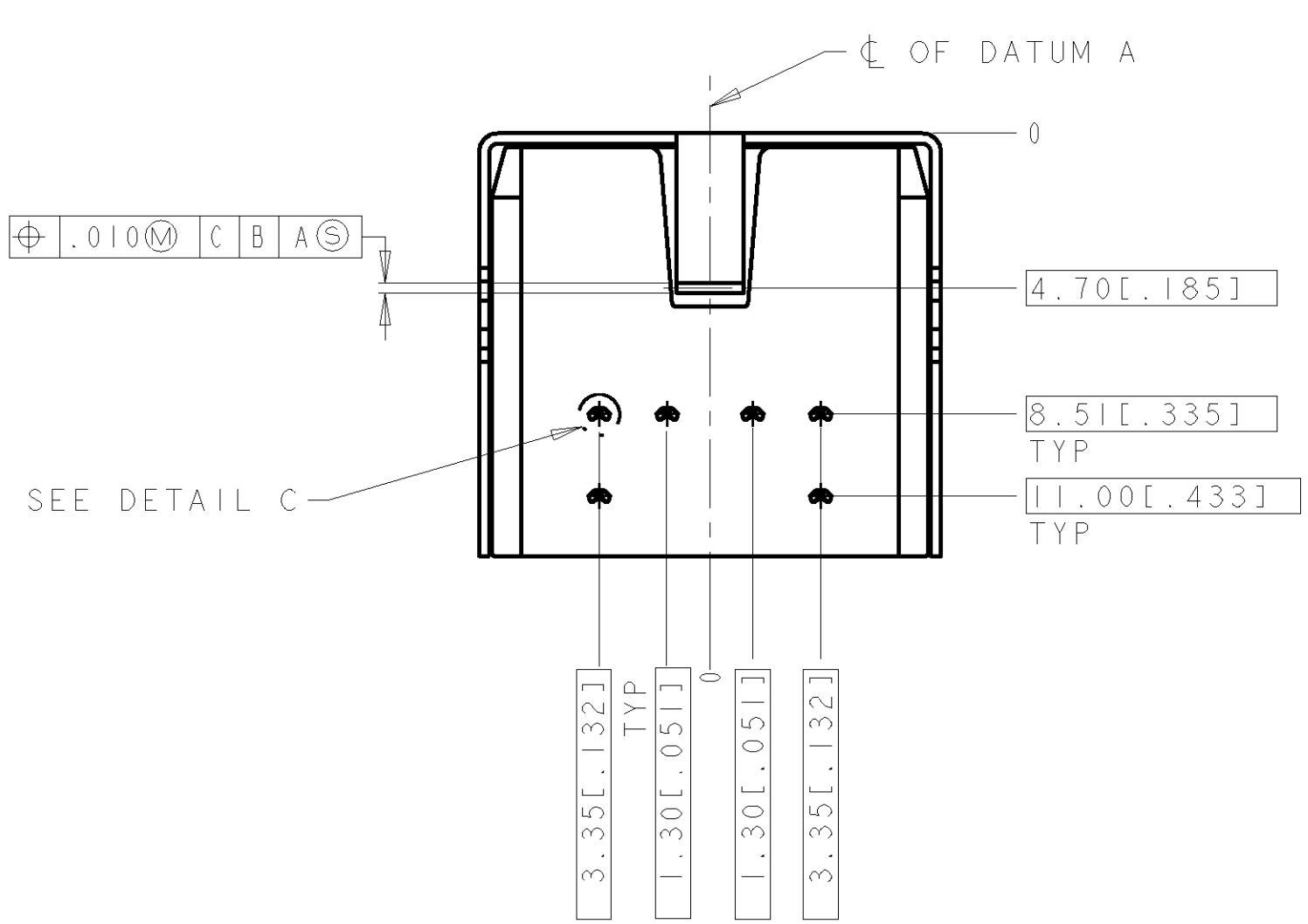
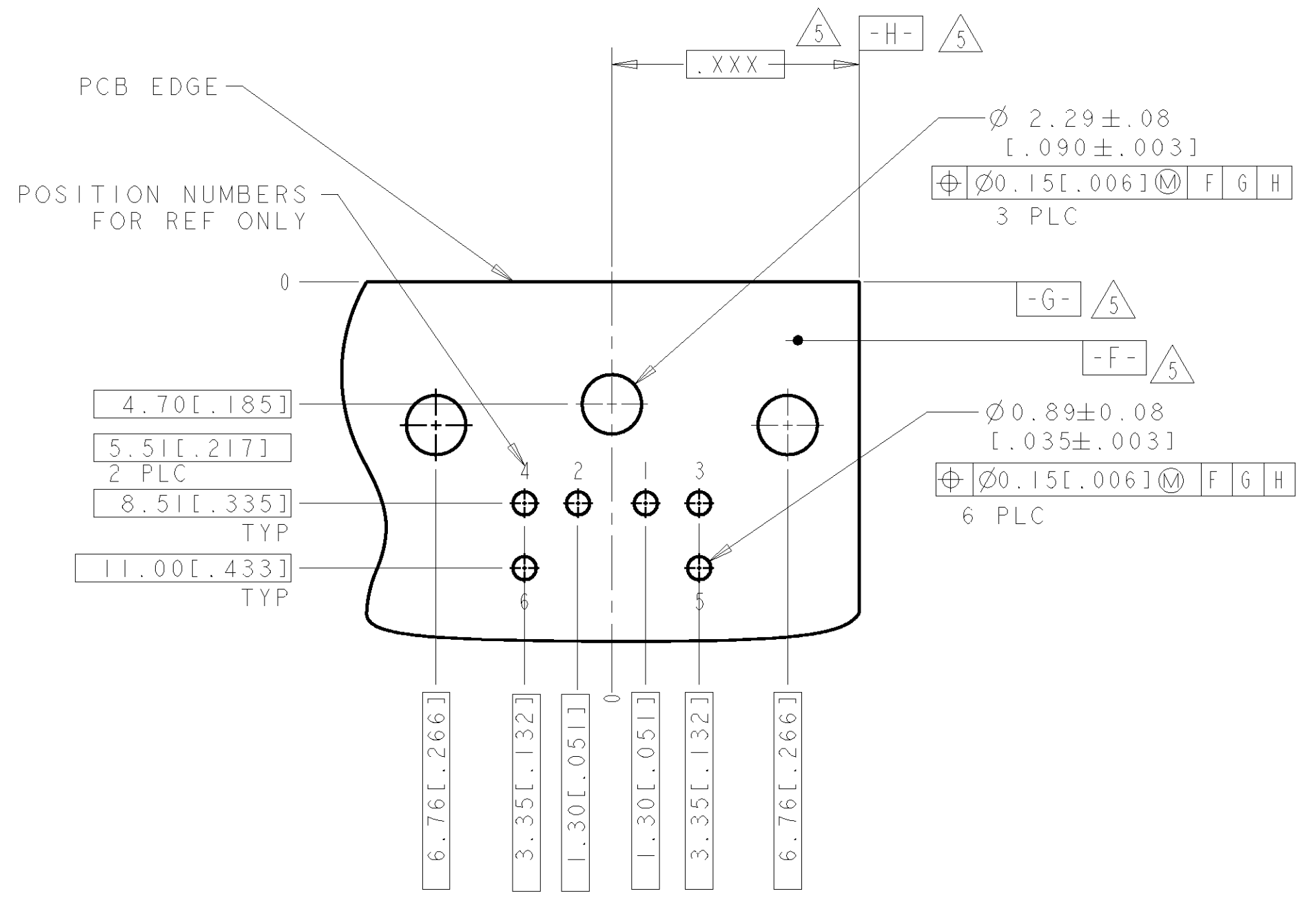
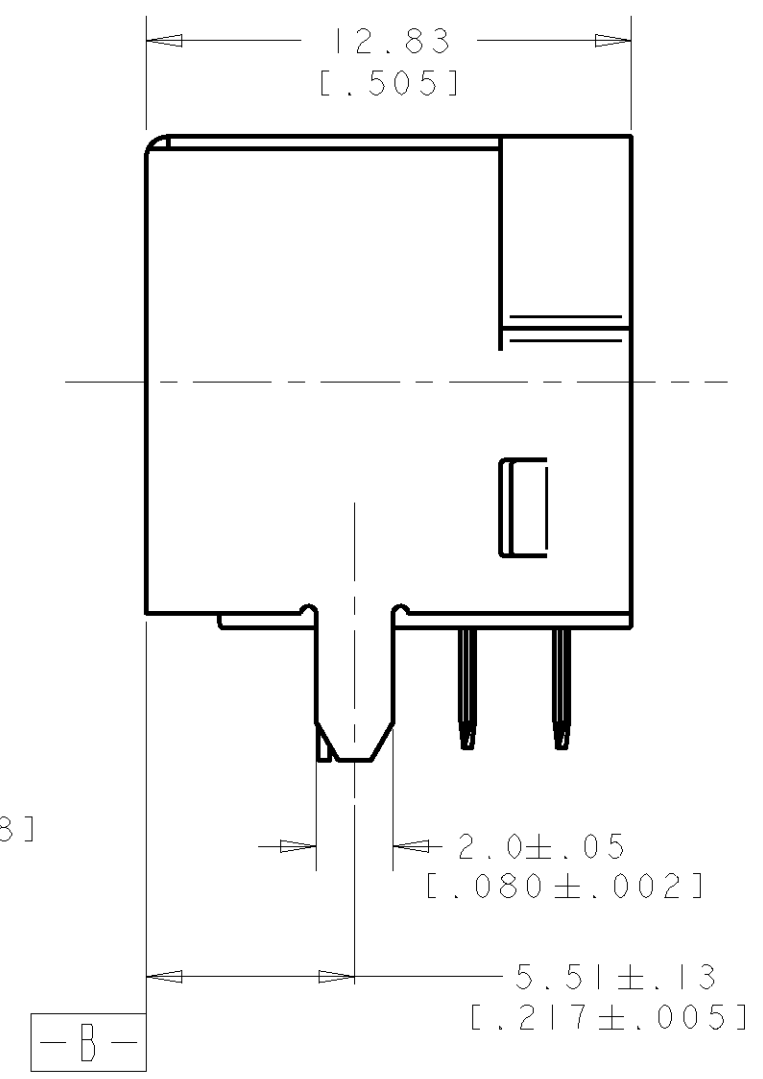
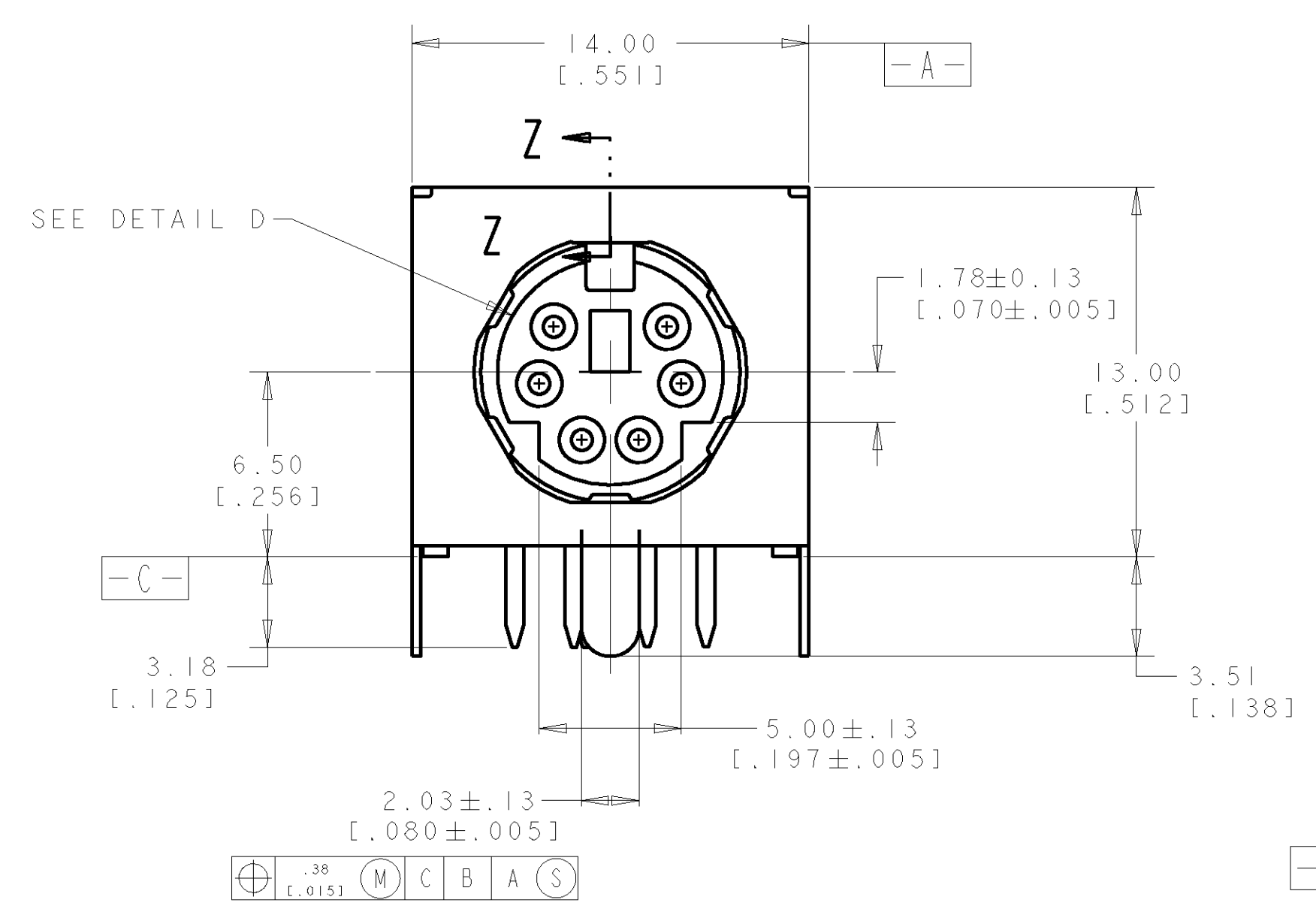


LOC	DIST	REV	DATE	BY	CHK	APPD
01	01	1	19MAR11	RK	HMR	



- △ RECEPTACLE CONTACTS: COPPER ALLOY.  
RECEPTACLE SHIELD: COPPER ALLOY.  
HOUSING: THERMOPLASTIC, BLACK, 94V-0 RATED.
- △ PLATING:  
RECEPTACLE CONTACTS - GOLD FLASH PLATED ON MATING END, MATTE-TIN PLATED .0030 MIN [.000120 MIN] THICK ON SOLDER TAIL ALL OVER .0013 MIN [.000050 MIN] THICK NICKEL.
- △ PLATING:  
SHIELD: PRE-TIN PLATED
- 4. RECEPTACLE ASSEMBLY MATES WITH 6 PIN 9.00±.10 [.354±.004] DIAMETER PLUG.
- △ DATUMS AND BASIC DIMENSION SUPPLIED BY CUSTOMER.



DETAIL C  
SCALE 50:1

P/N: 5749265-1 AS SHOWN

DIMENSIONS: mm [INCHES]		TOLERANCES UNLESS OTHERWISE SPECIFIED:		DWN WYLEE 04JAN2005		REV SF LEONG	
0 PLC	±	1 PLC	±	NAME RECEPTACLE ASSY, 6 POS., RIGHT ANGLE, MINIATURE CIRCULAR DIN		CAGE CODE	
2 PLC	±	3 PLC	±	PRODUCT SPEC 108-1225		DRAWING NO	
4 PLC	±0.38 [.015]	5 PLC	±	APPLICATION SPEC		SIZE	
6 PLC	±	ANGLES	±	WEIGHT		A1 00779	
MATERIAL				CUSTOMER DRAWING			
FINISH				SCALE 5:1 SHEET 1 OF 1 REV P			